

# TECO



**Low Voltage 3-Phase Induction Motors** | Range  
**0.18kW to 670kW**

TOTALLY ENCLOSED FAN-COOLED CAST IRON FRAME SERIES



## Contents

*page*

*page*

<b>PRODUCT DETAILS</b>		<b>TECHNICAL DETAILS</b>	
General Information	2	Mechanical Design	
Electrical Design and Standards		Axial / Radial loadings	21
Altitude	2	Cooling	22
Ambient	2	Force Cooling IC416	23
Direction of Rotation	2	Mounting (IM code)	24
Duty Rating	2	Protection (IP code)	25
Electric Supply	2	Electrical Design	
Motor Types / MEPS	2	Altitude and Ambient Temperature	26
Performance	3	Anti-condensation Heaters (optional)	27
Standards	3	Connection Diagrams	27
Stator and Windings	3	Duty	27
Testing	3	Efficiency	28
Variable Speed Drive Suitability	3	Insulation Classes	29
Winding Protection	3	Speed vs. Torque – Current	29
Mechanical Design and Standards		Starts per Hour	30
Balance	4	Maximum Load Inertia	30
Bearing and Lubrication System	4	Thermal Protection	31
Cooling System	4	Thermistors	31
Finish	5	Resistance Temperature Detectors	32
Hardware	5	Tolerances for electromechanical characteristics	33
MAX-E3™ – Mining Spec Motors	5	Variable Speed Drives (VVVF)	34 ~ 35
Mounting	5	Voltage and Frequency during operation	36
Motor Construction	5		
Protection	5		
Rating Plate	5		
Rotor Assembly	6		
Terminal Box	6		
Options	6		
Performance Data – Standard Range 63 ~ 315MC	7 ~ 8		
Performance Data – High Efficiency MAX-E3™ Range 80 ~ 315MC	9 ~ 10		
Performance Data – High Efficiency AEJE Range 315A ~ 450	11		
Outline Dimensions – Frame 63 ~ 132 Foot Mount	12		
Outline Dimensions – Frame 160 ~ 250 Foot Mount	13		
Outline Dimensions – Frame 280 ~ 315M Foot Mount	14		
Outline Dimensions – Frame 315A ~ 450 Foot Mount	15		
Outline Dimensions – Frame 63 ~ 132 Flange Mount	16		
Outline Dimensions – Frame 160 ~ 250 Flange Mount	17		
Outline Dimensions – Frame 63 ~ 200 Foot and Flange Mount	18		
Outline Dimensions – Frame 225 ~ 315M Foot and Flange Mount	19		
Outline Dimensions – Frame 63 ~ 132 Foot and C Face Mount	20		

# Typical Performance Data



## TECO Cast Iron TEFC 3-Phase Squirrel Cage Induction Motors

### Standard Range 63 to 315 Frame (415V 50Hz)

Output kW	Full Load Speed RPM	Frame Size	Efficiency			Power Factor			Current		Torque				Inertia		Noise Level dB(A)	Weight Foot Mount Kgs
			Full Load (%)	3/4 Load (%)	1/2 Load (%)	Full Load (%)	3/4 Load (%)	1/2 Load (%)	Full Load (A)	Locked Rotor (%)	Full Load N-m	Locked Rotor %FLT	Pull Up %FLT	Break-Down %FLT	Rotor J=GD <sup>2</sup> /4 Kg-m <sup>2</sup>	Max Load J=GD <sup>2</sup> /4 Kg-m <sup>2</sup>		
0.18	2740	63	61.0	59.5	55.0	77.5	69.0	57.0	0.55	455	0.63	330	330	330	0.0005	0.022	52	9
	1350	63	63.5	63.0	58.0	70.0	61.0	49.0	0.58	431	1.27	240	230	260	0.0008	0.103	48	11
	910	71	61.0	57.0	50.0	64.0	55.0	44.0	0.66	379	1.89	260	240	280	0.0018	0.175	45	12
	705	80	52.0	48.0	39.0	47.0	41.0	34.0	1.06	302	2.44	360	350	370	0.0025	0.543	44	16
0.37	2800	71	75.0	74.0	70.0	85.0	78.0	64.0	0.81	593	1.26	320	270	310	0.0008	0.043	54	12
	1405	71	74.5	73.0	68.5	69.5	60.5	48.0	1.00	530	2.51	325	270	305	0.0013	0.198	50	13
	920	80	72.5	72.0	68.5	72.0	62.5	49.0	0.99	535	3.84	230	215	240	0.0025	0.338	49	18
	710	90S	70.5	68.0	62.5	60.0	51.0	39.5	1.23	388	4.98	195	190	265	0.0045	1.04	49	22
0.55	2780	71	73.0	72.0	68.0	83.0	75.0	62.0	1.28	563	1.89	300	260	280	0.0008	0.062	53	16
	1405	80	71.5	70.5	65.0	74.0	65.0	52.0	1.47	524	3.74	260	230	280	0.0018	0.291	48	18
	910	80	68.0	68.0	63.0	72.0	62.0	49.0	1.59	365	5.77	230	210	230	0.0030	0.498	48	18
	690	90L	70.0	70.0	66.0	70.0	61.0	49.0	1.59	365	7.61	170	145	205	0.0058	1.54	47	27
0.75	2860	80**	83.0	82.0	79.0	85.0	78.5	65.5	1.47	1,020	2.50	340	340	380	0.0015	0.081	57	18
	1420	80	82.5	82.5	80.5	71.0	61.0	47.0	1.77	678	5.04	330	320	330	0.0028	0.353	50	18
	940	90S	78.0	78.0	75.0	67.5	58.0	46.0	1.97	609	7.62	200	200	250	0.0048	0.913	54	25
	695	100L	76.5	76.5	73.0	60.0	51.0	39.0	2.26	442	10.3	230	215	230	0.0088	1.89	49	31
1.1	2840	80**	84.5	84.0	82.0	87.5	82.0	70.5	2.11	947	3.70	300	290	330	0.0018	0.110	53	21
	1415	90S	84.0	85.0	84.0	80.0	72.5	60.0	2.32	690	7.42	250	215	270	0.0043	0.523	46	27
	940	90L	82.0	80.0	77.0	69.0	60.0	48.0	2.75	582	11.2	240	230	290	0.0063	1.40	42	26
	695	100L	78.0	79.5	77.0	64.5	55.5	43.0	3.09	485	15.1	210	200	215	0.0113	2.74	49	37
1.5	2855	90S	85.0	85.5	83.0	85.5	80.5	68.0	2.86	804	5.02	330	300	330	0.0028	0.145	54	24
	1430	90L	85.0	85.0	83.0	75.0	66.5	53.0	3.26	706	10.0	300	240	310	0.0058	0.670	46	30
	930	100L	83.0	83.0	81.5	78.0	71.5	60.0	3.21	623	15.4	240	200	250	0.0138	1.83	44	36
	705	112M	79.5	79.0	77.0	59.0	49.0	39.0	4.43	451	20.3	200	170	230	0.0150	3.65	49	45
2.2	2855	90L	86.0	86.5	85.5	88.0	83.0	72.0	4.11	803	7.36	320	290	330	0.0038	0.213	59	29
	1440	100L	86.5	86.5	85.0	82.5	76.0	63.5	4.36	757	14.6	290	250	300	0.0103	1.04	46	37
	955	112M	84.5	85.0	83.0	74.5	67.0	54.5	4.95	606	22.0	210	190	260	0.0193	2.68	44	43
	710	132S	82.0	81.5	79.0	65.0	56.0	43.0	5.84	514	29.6	250	230	280	0.0385	5.29	49	65
3	2875	100L**	88.5	88.5	87.0	87.5	83.0	73.0	5.36	932	9.97	400	320	370	0.0063	0.280	57	38
	1430	100L	87.5	87.5	87.0	82.5	77.0	65.0	5.95	748	20.0	290	270	310	0.0125	1.34	46	43
	965	132S**	88.5	87.5	86.0	81.0	75.0	63.0	5.79	777	29.7	200	170	290	0.0385	3.50	51	71
	710	132M	83.5	83.5	81.0	65.0	55.0	42.0	7.65	523	40.4	250	235	290	0.0480	6.97	50	75
4	2880	112M**	89.5	90.0	89.0	91.0	88.5	81.0	7.01	856	13.3	280	240	350	0.0115	0.383	57	48
	1445	112M	89.0	89.0	88.0	84.0	80.0	68.5	7.64	785	26.4	240	180	300	0.0208	1.81	48	48
	970	132M**	89.5	89.0	87.0	79.0	72.5	60.0	8.07	743	39.4	210	180	310	0.0515	4.75	51	87
	720	160M	84.5	84.0	81.5	73.0	65.0	52.5	9.25	541	53.1	200	180	250	0.0878	9.51	51	118
5.5	2915	132S**	91.5	91.5	90.5	88.0	85.0	78.5	9.67	776	18.0	220	190	280	0.0190	0.505	64	71
	1460	132S	90.5	90.5	89.0	82.5	76.0	63.5	10.40	817	36.0	270	220	320	0.0333	2.37	53	72
	960	132M	89.0	88.5	88.0	82.0	77.0	66.0	10.70	654	54.7	190	170	270	0.0543	6.33	47	90
	715	160M	85.0	85.5	83.5	73.0	65.0	52.0	12.50	520	73.5	170	160	230	0.123	12.7	54	118
7.5	2895	132S**	91.0	91.0	90.0	80.0	74.0	63.0	14.30	629	24.7	210	180	260	0.0190	0.670	64	84
	1455	132M	91.0	91.0	90.0	85.0	80.0	68.5	13.40	821	49.2	270	220	320	0.0358	3.10	56	82
	970	160M**	91.0	91.0	90.0	81.0	75.0	64.0	14.10	674	73.8	240	200	260	0.121	8.34	55	138
	720	160L	87.0	87.0	85.0	72.0	64.0	51.0	16.60	572	99.5	195	185	270	0.147	16.6	55	155

- Notes:**
- All figures are based on tests carried out on 415 Volt 3-Phase Motors.
  - Test Method: AS1359.5, Method B.
  - Tolerance: AS1359.101
  - \*\* motors comply to MEPS 2006 High Efficiency requirements. **MAX-E3**.
  - dB(A): Mean Sound Pressure Level on no load at 1 metre.
  - Motor data 8 pole and slower speeds not listed available on request.
  - Data subject to change without notice.

## Typical Performance Data



### TECO Cast Iron TEFC 3-Phase Squirrel Cage Induction Motors

#### Standard Range 63 to 315 Frame (415V 50Hz)

Output kW	Full Load Speed RPM	Frame Size	Efficiency			Power Factor			Current		Torque				Inertia		Noise Level dB(A)	Weight Foot Mount Kgs
			Full Load (%)	3/4 Load (%)	1/2 Load (%)	Full Load (%)	3/4 Load (%)	1/2 Load (%)	Full Load (A)	Locked Rotor (%)	Full Load N-m	Locked Rotor %FLT	Pull Up %FLT	Break-Down %FLT	Rotor $J=GD^2/4$ Kg-m <sup>2</sup>	Max Load $J=GD^2/4$ Kg-m <sup>2</sup>		
11	2935	160M**	92.5	92.5	92.0	91.5	89.0	84.5	18.40	761	35.8	230	200	280	0.0458	0.973	70	128
	1460	160M**	92.5	92.5	92.0	85.0	82.0	74.0	19.80	707	72.0	230	180	270	0.0918	4.57	56	133
	975	160L	91.0	90.5	89.0	79.0	72.5	60.0	21.7	737	108	280	230	280	0.158	12.2	52	159
	720	180L	87.5	88.0	87.5	78.5	74.0	72.5	22.7	529	146	180	160	215	0.314	24.3	56	210
15	2935	160M**	92.5	92.0	91.5	91.0	88.0	81.0	24.70	789	48.8	240	210	290	0.0458	1.28	70	130
	1460	160L**	93.0	93.0	92.5	88.0	84.5	76.5	25.40	728	98.1	230	180	270	0.116	6.02	56	153
	970	180LC**	92.0	92.0	92.0	84.0	79.5	71.5	26.90	613	148	230	190	250	0.336	15.9	58	215
	720	200LC	89.0	89.5	89.5	81.5	78.5	70.5	28.6	454	199	150	130	180	0.445	31.8	57	282
18.5	2925	160L**	93.0	93.0	93.0	91.5	89.5	84.0	30.50	803	60.4	260	210	300	0.0593	1.55	72	148
	1470	180MC**	94.0	94.0	93.5	85.0	81.0	72.5	32.50	754	120	240	180	270	0.177	7.42	63	194
	975	200LC**	93.0	93.5	93.0	78.0	74.0	64.0	35.80	615	181	230	200	250	0.459	19.7	55	285
	725	225S	90.0	90.5	90.0	77.0	72.0	61.0	37.4	508	244	190	180	160	0.591	39.2	58	334
22	2935	180MA**	93.5	93.5	92.5	87.5	84.5	76.0	38.1	787	71.6	250	210	300	0.0708	1.89	72	194
	1465	180LC**	94.0	94.0	93.5	86.0	82.5	74.0	38.5	701	143	230	180	270	0.198	8.76	64	215
	975	200LC**	93.5	93.5	93.5	79.0	75.0	67.0	42.2	592	216	220	190	220	0.521	23.4	54	300
	735	225MC**	92.5	92.5	92.0	78.0	73.5	63.0	43.2	509	286	190	170	195	0.709	46.8	58	375
30	2955	200LA**	94.0	94.0	93.0	89.0	87.5	83.5	49.6	685	97.0	175	150	260	0.151	2.43	76	286
	1470	200LC**	94.5	94.5	94.5	87.0	85.5	78.0	50.5	773	195	230	190	270	0.364	11.5	64	300
	980	225MC**	94.0	94.0	93.5	85.5	82.0	75.0	51.7	590	292	210	190	230	0.756	30.5	61	390
	735	250SC	92.5	92.5	92.0	76.5	71.0	61.0	58.7	545	390	205	180	225	1.025	61.2	65	480
37	2950	200LA**	94.5	94.5	93.5	90.0	88.0	84.5	61.0	656	120	155	135	260	0.189	2.98	76	312
	1475	225SC**	95.0	95.0	94.5	85.0	81.0	73.0	64.3	669	240	200	180	240	0.474	14.1	69	359
	985	250SC**	94.0	94.5	94.0	86.5	83.5	76.0	63.8	634	359	210	200	250	1.049	37.8	64	480
	735	250MC	93.0	93.0	92.0	78.0	74.0	63.0	71.5	559	481	210	180	235	1.225	75.5	68	554
45	2955	225MA	94.5	94.5	93.5	92.0	91.0	88.0	72.0	667	145	140	130	230	0.311	3.53	78	373
	1475	225MC**	95.0	95.0	94.5	85.0	81.0	72.5	77.1	642	291	200	175	250	0.495	16.7	69	387
	985	250MC**	94.5	95.0	94.5	87.5	85.0	77.5	75.3	704	436	230	200	250	1.277	44.8	66	554
55	2960	250SA**	95.0	94.5	94.0	89.5	88.0	87.0	91.5	705	177	150	130	250	0.387	4.32	78	470
	1480	250SC**	95.5	95.0	94.5	87.0	84.0	77.0	93.7	700	355	230	200	260	0.978	20.3	71	528
	984	280SC**	95.0	94.5	94.0	85.0	82.5	75.0	94.8	680	534	165	140	230	2.125	55.0	77	650
75	2960	250MA**	95.5	95.5	95.0	91.0	88.0	85.0	119.0	693	242	140	130	250	0.454	5.60	78	548
	1480	250MC**	95.5	95.5	95.0	87.0	84.0	77.0	125.0	648	484	220	180	240	1.123	26.8	72	574
	984	280MC**	95.3	94.9	94.8	86.0	83.3	76.0	127	689	728	160	136	230	2.775	46.8	77	730
90	2960	280SA	95.4	94.8	94.0	89.0	87.5	82.0	147	717	290	130	110	230	0.725	6.88	83	650
	1480	280SC	95.6	95.0	94.2	87.0	84.2	78.0	150	703	581	160	136	230	2.025	33.0	80	700
	985	315SC	95.3	94.8	94.3	86.0	83.3	76.0	153	690	873	155	131	230	4.275	88.2	77	920
110	2960	280MA	95.4	94.8	94.0	89.7	88.0	82.0	179	721	355	120	102	230	0.850	8.08	83	700
	1482	280MC	95.8	95.2	94.4	88.0	84.5	78.5	182	709	709	155	131	230	2.375	39.0	80	850
	985	315MC**	95.8	95.3	94.8	86.2	84.0	76.5	185	697	1067	150	127	220	4.975	105	77	1010
132	2976	315SA	95.8	95.2	94.3	90.0	88.0	83.0	213	723	424	115	98	220	1.625	9.13	83	840
	1482	315SC**	96.2	95.6	94.8	88.5	85.0	79.5	216	713	851	150	127	220	2.800	44.0	80	940
	986	315MC	95.8	95.3	94.8	86.2	84.5	77.5	222	694	1279	150	127	220	5.050	120	77	1050
150	2976	315MA	96.0	95.4	94.5	90.3	89.0	83.5	241	726	481	110	94	220	1.625	10.5	83	920
	1485	315MC	96.2	95.6	94.8	88.5	85.0	80.0	245	714	965	150	127	220	3.650	50.5	80	930
185	2982	315MA	96.0	95.4	94.5	90.3	89.2	83.5	297	724	593	105	91	220	1.975	12.8	83	1000
	1486	315MB	96.2	95.6	94.8	89.0	85.6	80.5	301	714	1189	140	119	220	3.825	61.8	80	1100

- Notes: 1. All figures are based on tests carried out on 415 Volt3-Phase Motors.  
 2. Test Method: AS1359.5, Method B.  
 3. Tolerance: AS1359.101  
 4. \*\* motors comply to MEPS 2006 High Efficiency requirements, **MAX-E3**.

5. dB(A): Mean Sound Pressure Level on no load at 1 metre.  
 6. Motor data 8 pole and slower speeds not listed available on request.  
 7. Data subject to change without notice.

## Typical Performance Data



### TECO Cast Iron TEFC 3-Phase Squirrel Cage Induction Motors

#### High Efficiency Range MAX-E3™ 63 to 315M Frame (415V 50Hz)

Output kW	Full Load Speed RPM	Frame Size	Efficiency			Power Factor			Current		Torque				Inertia		Noise Level dB(A)	Weight Foot Mount Kgs
			Full Load (%)	3/4 Load (%)	1/2 Load (%)	Full Load (%)	3/4 Load (%)	1/2 Load (%)	Full Load (A)	Locked Rotor (%)	Full Load N-m	Locked Rotor %FLT	Pull Up %FLT	Break-Down %FLT	Rotor J=GD <sup>2</sup> /4 Kg-m <sup>2</sup>	Max Load J=GD <sup>2</sup> /4 Kg-m <sup>2</sup>		
0.75	2860	80	83.0	82.0	79.0	85.0	78.5	65.5	1.47	1,020	2.50	340	340	380	0.0015	0.081	57	18
	1420	80	84.5	83.0	80.5	75.5	66.5	52.5	1.63	920	5.04	365	330	355	0.0033	0.353	44	18
	935	90S	80.5	81.0	79.5	74.0	66.0	53.0	1.74	574	7.66	200	180	235	0.0055	0.913	46	25
	700	100L	76.5	76.5	73.0	60.0	50.5	38.5	2.26	442	10.2	235	220	230	0.0105	1.89	49	31
1.1	2840	80	84.5	84.0	82.0	87.5	82.0	70.5	2.11	947	3.70	300	290	330	0.0018	0.110	53	21
	1435	90S	86.0	86.5	86.0	82.0	75.5	63.5	2.21	905	7.32	255	205	290	0.0048	0.523	46	27
	940	90L	82.5	81.5	79.5	69.5	60.0	46.0	2.72	551	11.2	215	195	255	0.0068	1.40	46	26
	695	100L	79.5	80.0	77.5	64.0	55.0	42.5	3.06	490	15.1	210	200	215	0.0148	2.74	49	37
1.5	2850	90S	86.5	87.0	86.5	89.5	85.5	76.0	2.68	933	5.03	330	270	335	0.0030	0.145	56	24
	1440	90L	87.0	86.0	85.0	77.0	69.0	56.0	3.10	968	9.95	310	250	335	0.0063	0.670	47	30
	945	100L	84.0	85.0	84.0	70.0	62.0	48.5	3.53	708	15.2	280	265	290	0.0148	1.83	45	36
	705	112M	81.0	80.0	78.0	60.0	51.0	39.5	4.27	468	20.3	200	170	235	0.0178	3.65	49	45
2.2	2860	90L	87.5	87.5	87.0	85.5	80.0	69.5	4.16	961	7.35	340	275	355	0.0038	0.213	55	29
	1435	100L	88.5	88.0	87.5	83.0	77.5	66.0	4.24	973	14.6	325	285	340	0.0115	1.04	49	37
	965	112M	85.5	85.5	85.0	66.0	58.0	45.5	5.52	634	21.8	200	195	285	0.0210	2.68	51	43
	705	132S	83.5	83.5	82.0	69.0	59.5	46.0	5.40	556	29.8	230	210	265	0.0345	5.29	49	65
3	2875	100L	88.5	88.5	87.0	87.5	83.0	73.0	5.36	932	9.97	400	320	370	0.0063	0.280	57	38
	1440	100L	89.5	88.5	87.5	78.0	70.5	58.0	5.95	924	19.9	345	310	360	0.0125	1.34	49	43
	965	132S	88.5	87.5	86.0	81.0	75.0	63.0	5.79	777	29.7	200	170	290	0.0385	3.50	51	71
	715	132M	85.0	85.0	83.0	64.0	54.0	41.0	7.63	590	40.1	280	260	330	0.0450	6.97	50	75
4	2880	112M	89.5	90.0	89.0	91.0	88.5	81.0	7.01	856	13.3	280	240	350	0.0115	0.383	57	48
	1450	112M	90.0	89.5	89.0	82.5	77.0	65.5	7.69	845	26.3	235	205	330	0.0208	1.81	50	48
	970	132M	89.5	89.0	87.0	79.0	72.5	60.0	8.07	743	39.4	210	180	310	0.0515	4.75	51	87
	720	160M	86.5	86.0	84.5	70.5	62.0	48.5	9.36	588	53.1	190	170	250	0.0860	9.51	51	118
5.5	2915	132S	91.5	91.5	90.5	88.0	85.0	78.5	9.67	776	18.0	220	190	280	0.0190	0.505	64	71
	1455	132S	91.0	90.5	90.5	85.0	81.0	71.0	10.10	891	36.1	265	215	320	0.0333	2.37	55	72
	970	132M	89.5	89.5	88.5	73.0	65.0	51.0	11.90	798	54.1	245	225	360	0.0543	6.33	53	90
	720	160M	88.0	87.0	85.0	71.5	63.0	50.0	12.40	605	73.0	200	190	275	0.126	12.7	54	118
7.5	2895	132S	91.0	91.0	90.0	80.0	74.0	63.0	14.30	629	24.7	210	180	260	0.0190	0.670	64	84
	1460	132M	91.5	92.0	91.5	83.5	78.5	67.5	13.60	882	49.1	290	235	345	0.0433	3.10	55	82
	970	160M	91.0	91.0	90.0	81.0	75.0	64.0	14.10	674	73.8	240	200	260	0.121	8.34	55	138
	720	160L	89.0	88.0	86.0	71.0	62.5	49.5	16.40	610	99.5	205	195	285	0.168	16.6	55	155
11	2935	160M	92.5	92.5	92.0	91.5	89.0	84.5	18.40	761	35.8	230	200	280	0.0458	0.973	70	128
	1460	160M	92.5	92.5	92.0	85.0	82.0	74.0	19.80	707	72.0	230	180	270	0.0918	4.57	56	133
	970	160L	91.5	91.5	91.0	77.0	71.0	59.0	22.10	724	108	285	240	295	0.158	12.2	59	159
	720	180LC	90.5	90.5	90.0	82.0	79.0	70.0	21.00	595	146	170	155	210	0.320	24.3	56	210
15	2935	160M	92.5	92.0	91.5	91.0	88.0	81.0	24.70	789	48.8	240	210	290	0.0458	1.28	70	130
	1460	160L	93.0	93.0	92.5	88.0	84.5	76.5	25.40	728	98.1	230	180	270	0.116	6.02	56	153
	970	180LC	92.0	92.0	92.0	84.0	79.5	71.5	26.90	613	148	230	190	250	0.336	15.9	58	215
	730	200L	91.5	90.0	89.0	78.0	72.0	60.5	29.10	619	196	195	170	230	0.521	31.8	57	282
18.5	2925	160L	93.0	93.0	93.0	91.5	89.5	84.0	30.50	803	60.4	260	210	300	0.0593	1.55	72	148
	1470	180MC	94.0	94.0	93.5	85.0	81.0	72.5	32.50	754	120	240	180	270	0.177	7.42	63	194
	975	200LC	93.0	93.5	93.0	78.0	74.0	64.0	35.80	615	181	230	200	250	0.459	19.7	55	285
	735	225SC	92.0	92.0	91.5	76.5	71.5	61.0	36.90	515	240	180	160	195	0.611	39.2	58	334

- Notes:**
- All figures are based on tests carried out on 415 Volt 3-Phase Motors.
  - Test Method: AS1359.5, Method B.
  - Tolerance: AS1359.101
  - dB(A): Mean Sound Pressure Level on no load at 1 metre.
  - Motor data 8 pole and slower speeds not listed available on request.
  - Data subject to change without notice.

## Typical Performance Data



### TECO Cast Iron TEFC 3-Phase Squirrel Cage Induction Motors

#### High Efficiency Range MAX-E3™ 63 to 315 Frame (415V 50Hz)

Output kW	Full Load Speed RPM	Frame Size	Efficiency			Power Factor			Current		Torque				Inertia		Noise Level dB(A)	Weight Foot Mount Kgs
			Full Load (%)	3/4 Load (%)	1/2 Load (%)	Full Load (%)	3/4 Load (%)	1/2 Load (%)	Full Load (A)	Locked Rotor (%)	Full Load N-m	Locked Rotor %FLT	Pull Up %FLT	Break-Down %FLT	Rotor J=GD <sup>2</sup> /4 Kg-m <sup>2</sup>	Max Load J=GD <sup>2</sup> /4 Kg-m <sup>2</sup>		
22	2935	180MA	93.5	93.5	92.5	87.5	84.5	76.0	38.1	787	71.6	250	210	300	0.0708	1.89	72	194
	1465	180LC	94.0	94.0	93.5	86.0	82.5	74.0	38.5	701	143	230	180	270	0.198	8.76	64	215
	975	200LC	93.5	93.5	93.5	79.0	75.0	67.0	42.2	592	216	220	190	220	0.521	23.4	54	300
	735	225MC	92.5	92.5	92.0	77.0	72.0	61.5	43.7	526	286	185	170	195	0.756	46.8	58	375
30	2955	200LA	94.0	94.0	93.0	89.0	87.5	83.5	49.6	685	97.0	175	150	260	0.151	2.43	76	286
	1470	200LC	94.5	94.5	94.5	87.0	85.5	78.0	50.5	773	195	230	190	270	0.364	11.5	64	300
	980	225MC	94.0	94.0	93.5	85.5	82.0	75.0	51.7	590	292	210	190	230	0.756	30.5	61	390
	735	250SC	93.5	93.0	92.0	74.5	68.0	56.0	59.6	705	390	260	230	295	1.235	61.2	65	480
37	2950	200LA	94.5	94.5	93.5	90.0	88.0	84.5	61.0	656	120	155	135	260	0.189	2.98	76	312
	1475	225SC	95.0	95.0	94.5	85.0	81.0	73.0	64.3	669	240	200	180	240	0.474	14.1	69	359
	985	250SC	94.0	94.5	94.0	86.5	83.5	76.0	63.8	634	359	210	200	250	1.049	37.8	64	480
	735	250MC	94.0	93.5	93.0	76.0	70.0	59.0	72.6	668	481	245	215	270	1.417	75.5	68	554
45	2960	225MA	95.0	94.5	94.0	91.0	90.0	86.0	72.0	736	145	150	125	255	0.297	3.53	80	373
	1475	225MC	95.0	95.0	94.5	85.0	81.0	72.5	77.1	642	291	200	175	250	0.495	16.7	69	387
	985	250MC	94.5	95.0	94.5	86.5	83.0	75.0	76.2	767	436	240	215	270	1.277	44.8	66	554
55	2960	250SA	95.0	94.5	94.0	89.5	88.0	87.0	91.5	705	177	150	130	250	0.387	4.32	78	470
	1480	250SC	95.5	95.0	94.5	87.0	84.0	77.0	93.7	700	355	230	200	260	0.978	20.3	71	528
	984	280SC	95.0	94.5	94.0	84.0	81.5	74.0	96	677	534	165	140	230	2.125	55.0	78	650
75	2960	250MA	95.5	95.5	95.0	91.0	88.0	85.0	119.0	693	242	140	130	250	0.454	5.60	78	548
	1480	250MC	95.5	95.5	95.0	87.0	84.0	77.0	125.0	648	484	220	180	240	1.123	26.8	72	574
	985	280MC	95.3	94.9	94.8	85.0	82.0	75.0	128.9	875	727	160	136	230	2.775	46.8	78	730
90	2960	280SA	95.5	95.0	94.0	88.5	87.0	81.0	148.1	739	290	130	110	230	0.725	6.88	85	650
	1480	280SC	95.7	95.2	94.2	86.5	83.6	77.0	151.3	734	581	160	136	230	2.025	33.0	82	700
	985	315SC	95.5	95.0	94.3	85.5	82.5	76.0	153.3	714	873	155	131	230	4.275	88.2	78	920
110	2960	280MA	95.8	95.3	94.0	89.2	87.5	81.0	179.1	731	355	120	102	230	0.850	8.08	85	700
	1482	280MC	96.0	95.5	94.4	87.5	84.0	77.5	182.2	719	709	155	131	230	2.350	39.0	82	850
	985	315MC	95.8	95	94.8	86.0	83.0	76.5	185.7	705	1067	150	127	220	4.975	105	78	1010
132	2976	315SA	96.1	95.6	94.3	89.5	87.8	82.0	213.5	721	424	115	98	220	1.325	9.13	85	840
	1482	315SC	96.2	95.6	94.8	88.0	84.5	78.5	217.1	709	851	150	127	220	3.050	44.0	82	940
	986	315MC	96.1	95.6	94.8	86.0	83.0	76.5	222.2	693	1279	150	127	220	5.675	120	78	1050
150	2976	315MA	96.1	95.6	94.5	90.0	89.0	83.0	241.3	725	481	110	94	220	1.500	10.5	85	920
	1485	315MC	96.3	95.8	94.8	88.0	84.5	79.0	246.2	711	965	150	127	220	3.550	50.5	82	930
185	2982	315MA	96.1	95.6	94.5	90.0	89.0	83.0	297.6	736	593	105	91	220	1.500	12.8	85	1000
	1486	315MB	96.3	95.8	94.8	88.5	85.0	79.5	302.0	725	1189	140	119	220	3.700	61.8	82	1100

- Notes:**
1. All figures are based on tests carried out on 415 Volt 3-Phase Motors.
  2. Test Method: AS1359.5, Method B.
  3. Tolerance: AS1359.101
  4. dB(A): Mean Sound Pressure Level on no load at 1 metre.
  5. Motor data 8 pole and slower speeds not listed available on request.
  6. Data subject to change without notice.

## Typical Performance Data



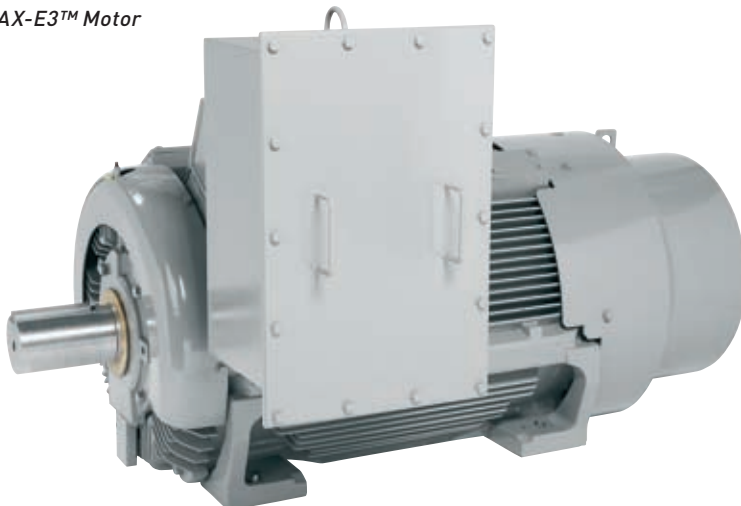
### TECO Cast Iron TEFC 3-Phase Squirrel Cage Induction Motors

#### AEJE High Efficiency Range MAX-E3™ 315 to 450 Frame (415V 50Hz)

Output kW	Full Load Speed RPM	Frame Size	Efficiency			Power Factor			Current		Torque				Rotor Inertia J=GD <sup>2</sup> /4 Kg-m <sup>2</sup>	Weight Foot Mount Kgs
			Full Load (%)	3/4 Load (%)	1/2 Load (%)	Full Load (%)	3/4 Load (%)	1/2 Load (%)	Full Load (A)	Locked Rotor (%)	Full Load N-m	Locked Rotor %FLT	Pull Up %FLT	Break-Down %FLT		
150	985	315AB	96.2	95.3	94.8	87.0	85.0	78.0	249	697	1454	110	99	220	7.28	1400
185	985	315AB	95.5	95.0	93.5	87.0	85.0	79.0	312	673	1794	120	108	220	8.88	1660
	737	315CB	95.5	94.8	93.5	82.0	79.0	69.0	331	634	2397	110	99	220	11.73	1700
220	2970	315AA	96.0	95.5	94.0	90.5	90.0	86.0	358	726	707	90	90	240	2.23	1480
	1475	315AB	95.8	95.2	94.0	88.6	87.0	83.0	367	708	1424	100	95	240	5.85	1450
	985	315CB	95.6	95.2	94.2	87.4	85.0	78.0	373	697	2133	100	95	220	11.50	1800
260	2970	315CA	96.0	95.5	94.0	90.5	89.5	86.0	418	718	836	85	85	240	2.85	1580
	1480	315CB	96.0	95.5	94.0	88.6	87.0	83.0	427	703	1678	100	95	240	6.88	1660
	985	315DB	96.0	95.6	94.5	87.5	85.9	79.0	432	694	2521	90	90	220	12.93	1950
300	2975	315DA	96.3	95.8	94.5	91.2	90.0	87.0	473	740	963	85	85	240	3.35	1750
	1480	315CB	96.3	95.8	94.5	88.5	87.0	83.3	487	719	1936	110	99	240	7.60	1800
	985	355AB	96.0	95.6	94.5	87.5	86.0	80.0	494	709	2909	90	90	220	19.15	2200
335	2975	315DA	96.4	96.0	94.5	91.2	90.0	87.0	531	744	1075	85	85	240	3.90	1850
	1480	315DB	96.3	95.8	94.5	88.5	87.0	83.8	548	712	2162	100	95	240	8.63	1900
	987	355CB	96.0	95.6	94.5	88.0	86.0	80.0	553	736	3241	90	90	210	21.00	2600
370	2975	355AA	96.4	96.0	94.8	91.5	90.0	89.0	588	731	1188	85	85	240	4.73	2000
	1480	355AB	96.5	96.0	94.8	88.5	87.0	83.5	608	707	2388	100	95	230	12.13	2150
	987	400AB	96.3	95.8	94.8	87.5	86.0	80.0	616	698	3580	85	85	200	22.65	2800
450	2978	400CA	96.5	96.1	94.8	91.5	90.0	88.0	705	737	1443	80	80	240	7.70	3000
	1485	355CB	96.6	96.0	94.8	88.5	87.0	83.5	728	714	2894	95	95	230	13.45	2500
	987	400AB	96.3	95.8	94.8	87.5	86.0	80.0	739	704	4354	80	80	210	24.95	3000
520	2978	400CA	96.5	96.1	94.8	91.5	90.0	88.0	822	745	1668	80	80	240	8.73	3200
	1485	400AB	96.6	96.0	94.8	89.0	88.0	84.0	845	724	3344	80	80	230	22.01	2900
	987	400CB	96.3	95.8	94.8	88.0	86.0	80.0	857	664	5031	80	80	210	28.50	3400
600	2980	450AA	96.5	96.1	94.8	91.5	90.0	88.0	940	745	1923	80	80	240	15.75	4000
	1485	400CB	96.6	96.0	94.8	89.0	87.5	84.0	965	725	3859	80	80	230	25.00	3400
	987	450AB	96.5	95.0	94.8	89.0	86.0	80.0	978	716	5806	80	80	210	45.50	4000
670	1486	450AB	96.6	96.0	95.0	89.5	87.5	84.0	1080	731	4306	80	80	230	34.25	4100

- Notes:**
1. All figures are based on tests carried out on 415 Volt3-Phase Motors.
  2. Test Method: AS1359.5, Method B.
  3. Tolerance: AS1359.101
  4. dB(A): Mean Sound Pressure Level on no load at 1 metre.
  5. Motor data 8 pole and slower speeds not listed available on request.
  6. Data subject to change without notice.

#### AEJE MAX-E3™ Motor



TECO Cast Iron TEFC 3-Phase Squirrel Cage Induction Motors

Frame 63 - 132 Foot Mount

Totally Enclosed Fan Cooled Squirrel Cage Rotor

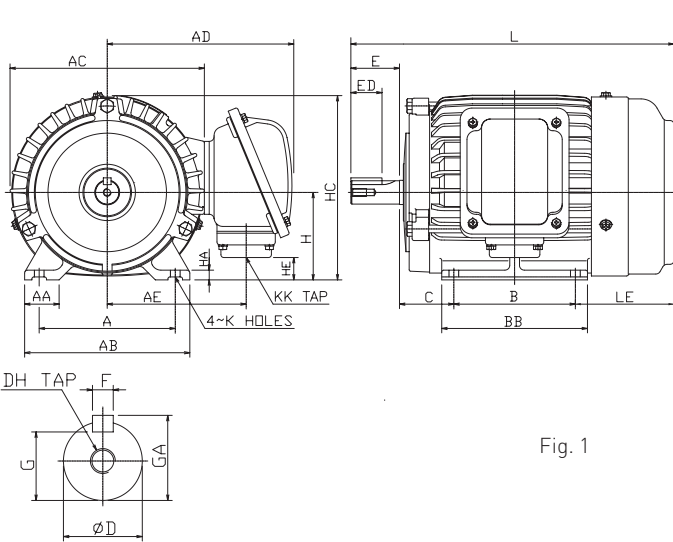


Fig. 1

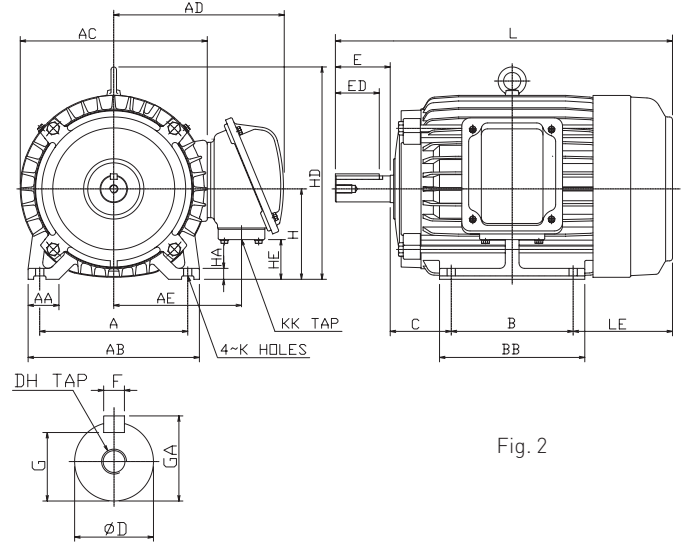


Fig. 2

Output (kW)				Frame Size	Fig. No.	Dimensions (mm)												
2P	4P	6P	8P			A	AA	AB	AC	AD	AE	B	BB	C	H	HA	HC	HD
0.18	0.18	-	-	63	1	100	28	120	144	138	100	80	100	40	63	8	135	-
0.37 / 0.55	0.37	0.18	-	71		112	35.5	140	162	148	110	90	115	45	71	8	152	-
0.75 / 1.1	0.55 / 0.75	0.37 / 0.55	0.18	80		125	35.5	155	177	179	130	100	130	50	80	9	168	-
1.5	1.1	0.75	0.37	90S		140	35.5	170	200	192	143	100	130	56	90	10	190	-
2.2	1.5	1.1	0.55	90L	2	140	35.5	170	200	192	143	125	150	56	90	10	190	-
3	2.2 / 3	1.5	0.75 / 1.1	100L		160	45	195	219	202	153	140	175	63	100	12.5	-	243
4	4	2.2	1.5	112M		190	45	224	238	211	162	140	175	70	112	14	-	265
5.5 / 7.5	5.5	3	2.2	132S		216	45	250	273	249	187	140	175	89	132	16	-	310
-	7.5	4 / 5.5	3	132M	216	45	250	273	249	187	178	212	89	132	16	-	310	

Frame Size						Shaft Extension							Bearings	
	HE	K	KK	L	LE	D	E	ED	F	G	GA	DH	DE	NDE
63	10	7	M20 × P1.5	219	76	11	23	18	4	8.5	12.5	M4 × 8	6201ZZ	6201ZZ
71	35	7	M20 × P1.5	250.5	85.5	14	30	24	5	11	16	M5 × 10	6202ZZ	6202ZZ
80	13	10	M25 × P1.5	282.5	92.5	19	40	25	6	15.5	21.5	M6 × 12	6204ZZ	6204ZZ
90S	23	10	M25 × P1.5	307.5	101.5	24	50	32	8	20	27	M8 × 16	6205ZZ	6205ZZ
90L	23	10	M25 × P1.5	332.5	101.5	24	50	32	8	20	27	M8 × 16	6205ZZ	6205ZZ
100L	33	12	M25 × P1.5	374.5	111.5	28	60	40	8	24	31	M10 × 20	6206ZZ	6305ZZ
112M	45	12	M25 × P1.5	391.5	121.5	28	60	40	8	24	31	M10 × 20	6306ZZ	6306ZZ
132S	58	12	M40 × P1.5	454	145	38	80	64	10	33	41	M12 × 24	6308ZZ	6306ZZ
132M	58	12	M40 × P1.5	492	145	38	80	64	10	33	41	M12 × 24	6308ZZ	6306ZZ

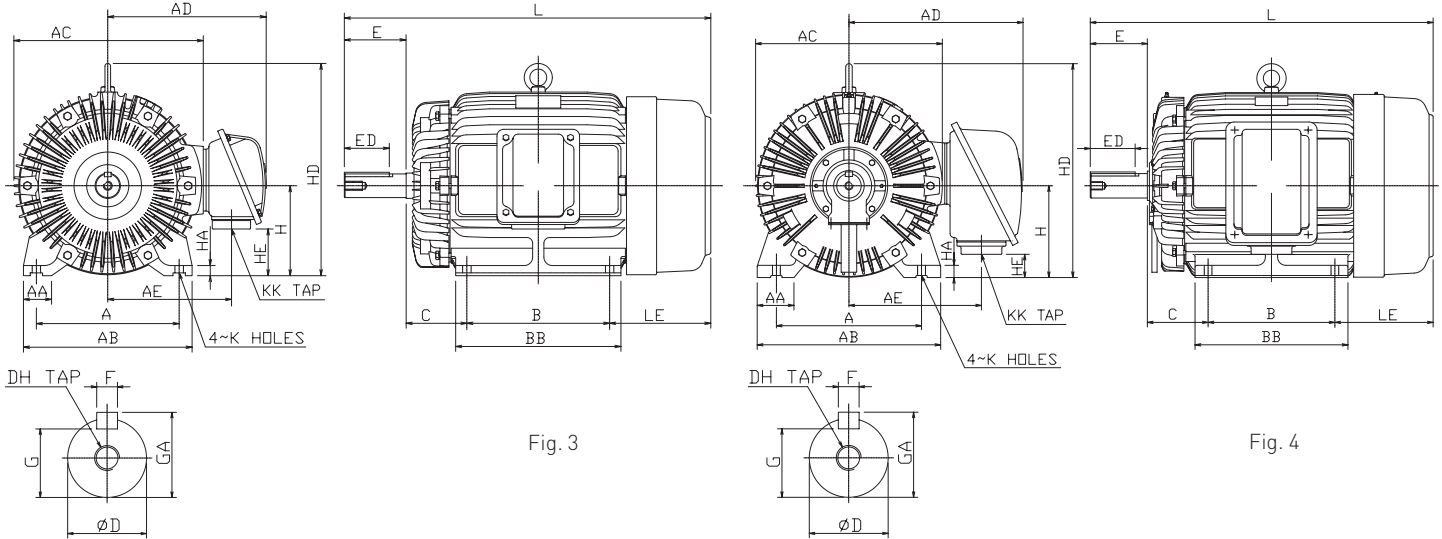
- Notes: 1. Tolerance: Refer to page 33.  
 2. Data subject to change without notice and should not be used for installation purposes.



TECO Cast Iron TEFC 3-Phase Squirrel Cage Induction Motors

Frame 160 - 250 Foot Mount

Totally Enclosed Fan Cooled Squirrel Cage Rotor



Output (kW)				Frame Size	Fig. No.	Dimensions (mm)											
2P	4P	6P	8P			A	AA	AB	AC	AD	AE	B	BB	C	H	HA	HD
11 / 15	11	7.5	4 / 5.5	160M	3	254	50	300	334	287	225	210	250	108	160	18	377
18.5	15	11	7.5	160L		254	50	300	334	287	225	254	300	108	160	18	377
22	-	-	-	180MA	4	279	75	355	382	312	250	241	297	121	180	20	421
-	18.5	-	-	180MC		279	75	355	382	312	250	241	297	121	180	20	421
-	22	15	11	180LC	3	279	75	355	382	312	250	279	335	121	180	20	421
30 / 37	-	-	-	200LA		318	80	400	420	374	287	305	365	133	200	25	469
-	30	18.5 / 22	15	200LC	4	318	80	400	420	374	287	305	365	133	200	25	469
-	37	-	18.5	225SC		356	90	450	458	427	330	286	350	149	225	30	524
45	-	-	-	225MA	4	356	90	450	458	427	330	311	375	149	225	30	524
-	45	30	22	225MC		356	90	450	458	427	330	311	375	149	225	30	524
55	-	-	-	250SA	4	406	100	500	510	493	375	311	385	168	250	36	575
-	55	37	30	250SC		406	100	500	510	493	375	311	385	168	250	36	575
75	-	-	-	250MA	4	406	100	500	510	493	375	349	425	168	250	36	575
-	75	45	37	250MC		406	100	500	510	493	375	349	425	168	250	36	575

Frame Size	Shaft Extension					Bearings								
	HE	K	KK	L	LE	D	E	ED	F	G	GA	DH	DE	NDE
160M	83	14.5	M40 × P1.5	608	180	42	110	80	12	37	45	M16 × 32	6309ZZ	6307ZZ
160L	83	14.5	M40 × P1.5	652	180	42	110	80	12	37	45	M16 × 32	6309ZZ	6307ZZ
180MA	103	14.5	M40 × P1.5	672	200	48	110	80	14	42.5	51.5	M16 × 32	{6211C3}	{6211C3}
180MC	103	14.5	M40 × P1.5	672	200	48	110	80	14	42.5	51.5	M16 × 32	6311ZZ	6310ZZ
180LC	103	14.5	M40 × P1.5	710	200	48	110	80	14	42.5	51.5	M16 × 32	6311ZZ	6310ZZ
200LA	88	18.5	M50 × P1.5	770	222	55	110	80	16	49	59	M20 × 40	{6312C3}	{6212C3}
200LC	88	18.5	M50 × P1.5	770	222	55	110	80	16	49	59	M20 × 40	6312	6212
225SC	57	18.5	M50 × P1.5	816	241	60	140	110	18	53	64	M20 × 40	6313	6213
225MA	57	18.5	M50 × P1.5	811	241	55	110	80	16	49	59	M20 × 40	{6312C3}	{6212C3}
225MC	57	18.5	M50 × P1.5	841	241	60	140	110	18	53	64	M20 × 40	6313	6213
250SA	42	24	M63 × P1.5	882.5	263.5	60	140	110	18	53	64	M20 × 40	{6313C3}	{6213C3}
250SC	42	24	M63 × P1.5	882.5	263.5	70	140	110	20	62.5	74.5	M20 × 40	NU316	6313
250MA	42	24	M63 × P1.5	920.5	263.5	60	140	110	18	53	64	M20 × 40	{6313C3}	{6213C3}
250MC	42	24	M63 × P1.5	920.5	263.5	70	140	110	20	62.5	74.5	M20 × 40	NU316	6313

- Notes: 1. Tolerance: Refer to page 33.  
 2. Data subject to change without notice and should not be used for installation purposes.

TECO Cast Iron TEFC 3-Phase Squirrel Cage Induction Motors

Frame 280 - 315 Foot Mount

Totally Enclosed Fan Cooled Squirrel Cage Rotor

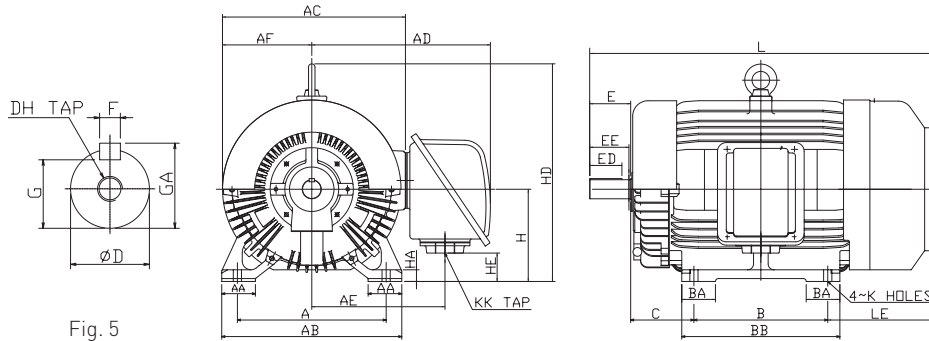


Fig. 5

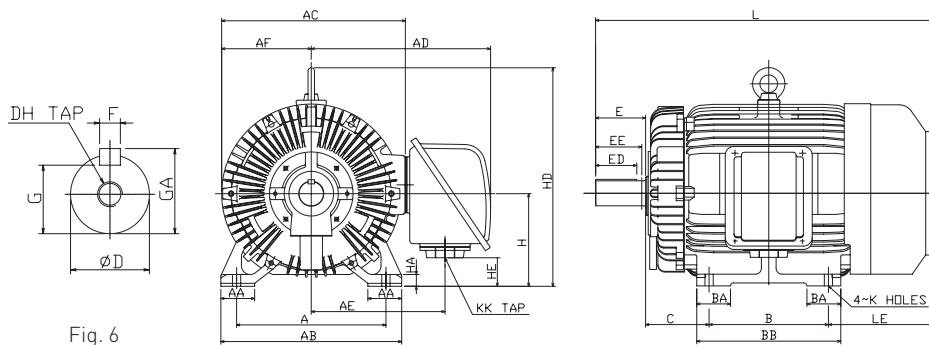


Fig. 6

Output (kW)				Frame Size	Fig. No.	Dimensions (mm)												
2P	4P	6P	8P			A	AA	AB	AC	AD	AE	AF	B	BA	BB	C	H	HA
90	-	-	-	280SA	5	457	110	560	625	610	455	305	368	110	445	190	280	36
-	90	55	45	280SC	6	457	110	560	625	610	455	305	368	110	445	190	280	36
110	-	-	-	280MA	5	457	110	560	625	610	455	305	419	130	495	190	280	36
-	110	75	55	280MC	6	457	110	560	625	610	455	305	419	130	495	190	280	36
132	-	-	-	315SA	5	508	115	615	625	610	455	305	406	115	490	216	315	40
-	132	90	75	315SC	6	508	115	615	625	610	455	305	406	115	490	216	315	40
150 / 185	-	-	-	315MA	5	508	115	615	625	610	455	305	457	115	540	216	315	40
-	150	110 / 132	90	315MC	6	508	115	615	625	610	455	305	457	115	540	216	315	40
-	185	-	-	315MB*	6	508	115	615	625	610	455	305	457	115	540	216	315	40

Frame Size	Shaft Extension						Bearings									
	HD	HE	K	KK	L	LE	D	E	ED	EE	F	G	GA	DH	DE	NDE
280SA	710	91	24	M63 × P1.5	1042	344	65	140	110	134	18	58	69	M20 × 30	6314C3	6314C3
280SC	710	91	24	M63 × P1.5	1072	344	80	170	140	157	22	71	85	M20 × 30	NU318C3	6316
280MA	710	91	24	M63 × P1.5	1092	343	65	140	110	134	18	58	69	M20 × 30	6314C3	6314C3
280MC	710	91	24	M63 × P1.5	1122	343	80	170	140	157	22	71	85	M20 × 30	NU318C3	6316
315SA	743	126	28	M63 × P1.5	1131	369	65	140	110	134	18	58	69	M20 × 30	6314C3	6314C3
315SC	743	126	28	M63 × P1.5	1161	369	85	170	140	157	22	76	90	M20 × 30	NU320C3	6316
315MA	743	126	28	M63 × P1.5	1182	369	65	140	110	134	18	58	69	M20 × 30	6314C3	6314C3
315MC	743	126	28	M63 × P1.5	1212	369	85	170	140	157	22	76	90	M20 × 30	NU320C3	6316
315MB	743	126	28	M63 × P1.5	1212	369	85*	170	140	157	22	76	90	M20 × 30	NU320C3	6316

- Notes:
- \* Also available with 95mm DIA shaft as MAX-E Mining spec, refer to TECO for detail.
  - Tolerance: Refer to page 33.
  - Usable Shaft Length: EE
  - Data subject to change without notice and should not be used for installation purposes.

TECO Cast Iron TEFC 3-Phase Squirrel Cage Induction Motors

Frame 315 - 450 Foot Mount AEJE

Totally Enclosed Fan Cooled Squirrel Cage Rotor

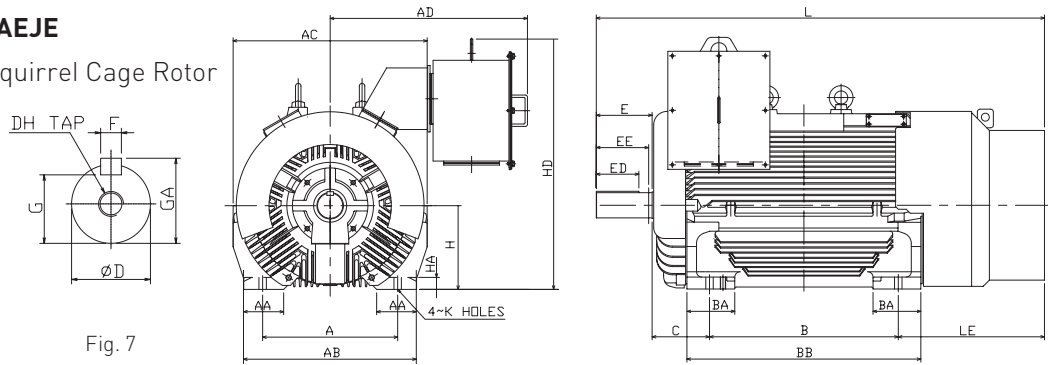


Fig. 7

Output (kW)				Frame Size	Fig. No.	Dimensions (mm)										
2P	4P	6P	8P			A	AA	AB	AC	AD	B	BA	BB	C	H	HA
220	-	-	-	315AA	7	508	150	650	730	846	560	180	730	216	315	45
-	220	150 / 185	110/132/150	315AB		508	150	650	730	846	560	180	730	216	315	45
260	-	-	-	315CA		508	150	650	730	846	710	180	880	216	315	45
-	260 / 300	220	185	315CB		508	150	650	730	846	710	180	880	216	315	45
300 / 335	-	-	-	315DA		508	150	650	730	846	910	180	1080	216	315	45
-	335	260	220	315DB		508	150	650	730	846	910	180	1080	216	315	45
370	-	-	-	355AA		610	150	750	810	959	710	210	930	254	355	45
-	370	300	260	355AB		610	150	750	810	959	710	210	930	254	355	45
-	450	335	300	355CB		610	150	750	810	959	900	210	1120	254	355	45
-	520	370 / 450	335	400AB		686	150	810	860	976	800	245	1060	280	400	40
450 / 520	-	-	-	400CA		686	150	810	860	976	1000	245	1260	280	400	40
-	600	520	370	400CB		686	150	810	860	976	1000	245	1260	280	400	40
600	-	-	-	450AA		750	180	890	986	1004	900	270	1230	315	450	50
-	670	600	450 / 520	450AB		750	180	890	986	1004	900	270	1230	315	450	50

Frame Size	Shaft Extension - Direct Drive				Shaft Extension - Direct Drive								Bearings	
	HD	K	L	LE	D	E	ED	EE	F	G	GA	DH	DE	NDE
315AA	1042	28	1601	685	70	140	110	134	20	62.5	74.5	M20 × 40	6315C3	6315C3
315AB	1042	28	1496	550	95	170	140	157	25	86	100	M24 × 48	6320	6320
315CA	1042	28	1751	685	70	140	110	134	20	62.5	74.5	M20 × 40	6315C3	6315C3
315CB	1042	28	1646	550	95	170	140	157	25	86	100	M24 × 48	6320	6320
315DA	1042	28	1951	685	70	140	110	134	20	62.5	74.5	M20 × 40	6315C3	6315C3
315DB	1042	28	1846	550	95	170	140	157	25	86	100	M24 × 48	6320	6320
355AA	1227	28	1854	750	70	140	110	134	20	62.5	74.5	M20 × 40	6315C3	6315C3
355AB	1227	28	1699	565	95	170	140	157	25	86	100	M24 × 48	6322	6320
355CB	1227	28	1889	565	95	170	140	157	25	86	100	M24 × 48	6322	6320
400AB	1278	35	1910	620	110	210	160	197	28	100	116	M24 × 48	6324	6320
400CA	1278	35	2200	780	70	140	110	134	20	62.5	74.5	M20 × 40	6315C3	6315C3
400CB	1278	35	2110	620	110	210	160	197	28	100	116	M24 × 48	6324	6320
450AA	1348	35	2240	885	70	140	110	134	20	62.5	74.5	M20 × 40	6315C3	6315C3
450AB*	1348	35	2220	795	110	210	160	197	28	100	116	M24 × 48	6324	6322
450AB**	1348	35	2125	700	110	210	160	197	28	100	116	M24 × 48	6324	6322

Frame Size	Shaft Extension Belt Drive - Max-E Mining				Shaft Extension Belt Drive - Max-E Mining								Bearings	
	Output (kW)	4P	6P	L	LE	D	E	ED	EE	F	G	GA	DH	DE
315AC	220	150 / 185	1536	550	110	210	160	197	28	100	116	M24 × 48	NU324C3	6320
315CC	250	-	1686	550	110	210	160	197	28	100	116	M24 × 48	NU324C3	6320
315CC	300	220	1686	550	125	210	160	197	32	114	132	M24 × 48	NU326C3	6320
315DC	-	260	1886	550	125	210	160	197	32	114	132	M24 × 48	NU326C3	6320
355AC	375	315	1789	615	125	210	160	197	32	114	132	M24 × 48	NU326C3	6322

- Notes:
1. Tolerance: Refer to page 33
  2. Usable Shaft Length: EE
  3. L and LE dimensions differ on 450AB frame for (4 pole\*) (6 and 8 pole\*\*).

4. Fitted with undrilled blank gland plate.
5. Data subject to change without notice and should not be used for installation purposes.

**TECO Cast Iron TEFC 3-Phase Squirrel Induction Motors**

**Frame 63 - 132 Flange Mount**

Totally Enclosed Fan Cooled Squirrel Cage Rotor

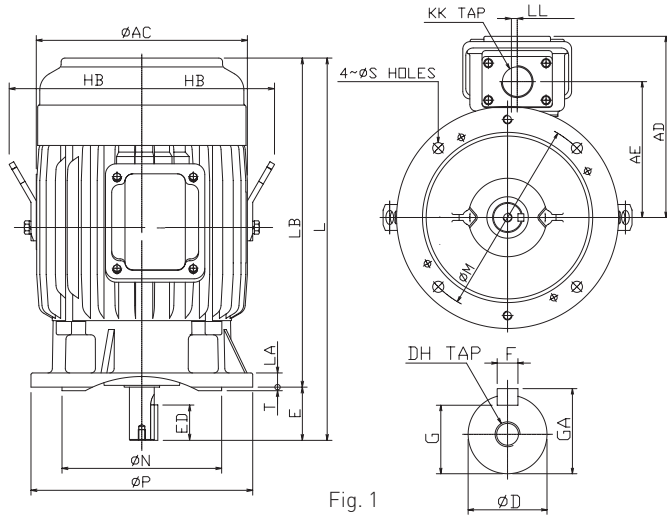


Fig. 1

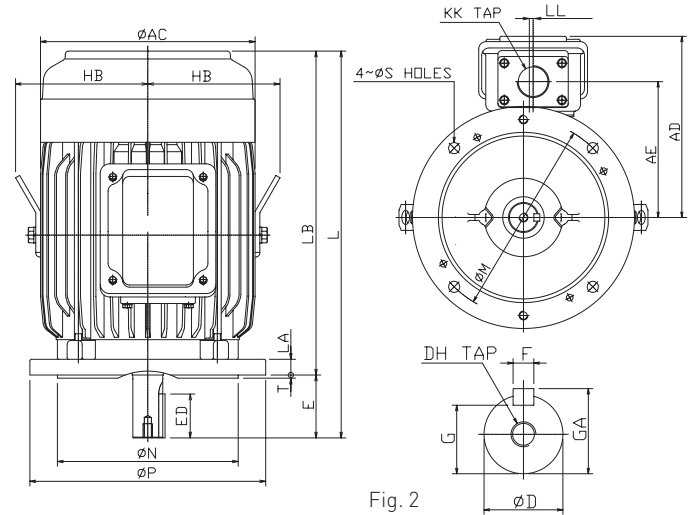


Fig. 2

Output (kW)				Frame Size	Fig. No.	Dimensions (mm)										Flange		
2P	4P	6P	8P			AC	AD	AE	HB	KK	L	LA	LB	LL	M	N	P	
0.18	0.18	-	-	63	1	144	138	100	-	M20 × P1.5	225	12	235	0	115	95	140	
0.37 / 0.55	0.37	0.18	-	71		162	148	110	-	M20 × P1.5	278	12	248	17	130	110	160	
0.75 / 1.1	0.55 / 0.75	0.37 / 0.55	0.18	80	2	177	179	130	-	M25 × P1.5	280	12	240	15	165	130	200	
1.5	1.1	0.75	0.37	90S		200	192	143	-	M25 × P1.5	347	12	297	15	165	130	200	
2.2	1.5	1.1	0.55	90L	1	200	192	143	-	M25 × P1.5	372	12	322	15	165	130	200	
3	2.2 / 3	1.5	0.75 / 1.1	100L		219	202	153	140	M25 × P1.5	375	16	315	15	215	180	250	
4	4	2.2	1.5	112M	1	238	211	162	150	M25 × P1.5	431	16	371	15	215	180	250	
5.5 / 7.5	5.5	3	2.2	132S		273	249	187	169	M40 × P1.5	454	20	374	13	265	230	300	
-	7.5	4 / 5.5	3	132M	2	273	249	187	169	M40 × P1.5	484	20	404	13	265	230	300	

Frame Size	Flange		Shaft Extension								Bearings	
	S	T	Q	D	E	ED	F	G	GA	DH	DE	NDE
63	10	3	45	11	23	18	4	8.5	12.5	M4 × 8	6201ZZ	6201ZZ
71	10	3.5	45	14	30	24	5	11	16	M5 × 10	6202ZZ	6202ZZ
80	12	3.5	45	19	40	25	6	15.5	21.5	M6 × 12	6204ZZ	6204ZZ
90S	12	3.5	45	24	50	32	8	20	27	M8 × 16	6205ZZ	6205ZZ
90L	12	3.5	45	24	50	32	8	20	27	M8 × 16	6205ZZ	6205ZZ
100L	14.5	4	45	28	60	40	8	24	31	M10 × 20	6206ZZ	6305ZZ
112M	14.5	4	45	28	60	40	8	24	31	M10 × 20	6306ZZ	6306ZZ
132S	14.5	4	40	38	80	56	10	33	41	M12 × 24	6308ZZ	6306ZZ
132M	14.5	4	40	38	80	56	10	33	41	M12 × 24	6308ZZ	6306ZZ

- Notes:
1. Tolerance: Refer to page 33.
  2. Lifting lugs not provided on frames D90 and smaller.
  3. Data subject to change without notice and should not be used for installation purposes.

TECO Cast Iron TEFC 3-Phase Squirrel Induction Motors

Frame 160 - 250 Flange Mount

Totally Enclosed Fan Cooled Squirrel Cage Rotor

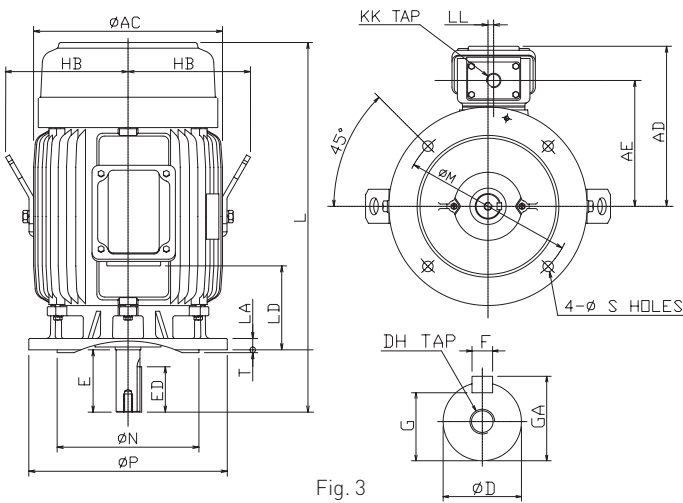


Fig. 3

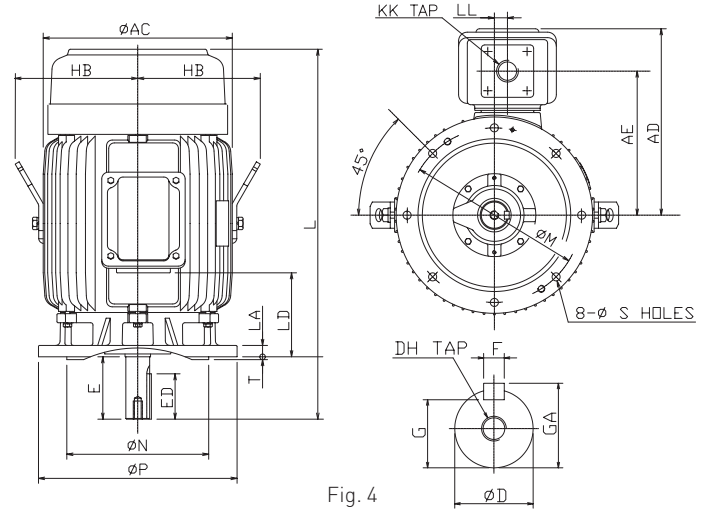


Fig. 4

Output (kW)				Frame Size	Fig. No.	Dimensions (mm)								Flange			
2P	4P	6P	8P			AC	AD	AE	HB	KK	L	LA	LD	LL	M	N	P
11 / 15	11	7.5	4 / 5.5	160M	3	334	287	225	217	M40 × P1.5	608	20	126	10	300	250	350
18.5	15	11	7.5	160L		334	287	225	217	M40 × P1.5	652	20	148	10	300	250	350
22				180MA		382	312	250	241	M40 × P1.5	672	20	155	10	300	250	350
	18.5			180MC		382	312	250	241	M40 × P1.5	672	20	155	10	300	250	350
	22	15	11	180LC		382	312	250	241	M40 × P1.5	710	20	174	10	300	250	350
30 / 37				200LA		420	374	287	260	M50 × P1.5	770	20	154	20	350	300	400
	30	18.5 / 22	15	200LC	420	374	287	260	M50 × P1.5	770	20	154	20	350	300	400	
	37		18.5	225SC	4	458	427	330	286	M50 × P1.5	816	22	94	30	400	350	450
45				225MA		458	427	330	286	M50 × P1.5	811	22	107	30	400	350	450
	45	30	22	225MC		458	427	330	286	M50 × P1.5	841	22	107	30	400	350	450
55				250SA		510	493	375	312	M63 × P1.5	882.5	22	86	30	500	450	550
	55	37	30	250SC		510	493	375	312	M63 × P1.5	882.5	22	86	30	500	450	550
75				250MA		510	493	375	312	M63 × P1.5	920.5	22	105	30	500	450	550
	75	45	37	250MC	510	493	375	312	M63 × P1.5	920.5	22	105	30	500	450	550	

Frame Size	Flange		Shaft Extension							Bearings	
	S	T	D	E	ED	F	G	GA	DH	DE	NDE
160M	18.5	5	42	110	80	12	37	45	M16 × 32	6309ZZ	6307ZZ
160L	18.5	5	42	110	80	12	37	45	M16 × 32	6309ZZ	6307ZZ
180MA	18.5	5	48	110	80	14	42.5	51.5	M16 × 32	6211C3	6211C3
180MC	18.5	5	48	110	80	14	42.5	51.5	M16 × 32	6311ZZ	6310ZZ
180LC	18.5	5	48	110	80	14	42.5	51.5	M16 × 32	6311ZZ	6310ZZ
200LA	18.5	5	55	110	80	16	49	59	M20 × 40	6312C3	6212C3
200LC	18.5	5	55	110	80	16	49	59	M20 × 40	6312	6212
225SC	18.5	5	60	140	110	18	53	64	M20 × 40	6313	6213
225MA	18.5	5	55	110	80	16	49	59	M20 × 40	6312C3	6212C3
225MC	18.5	5	60	140	110	18	53	64	M20 × 40	6313	6213
250SA	18.5	5	60	140	110	18	53	64	M20 × 40	6313C3	6213C3
250SC	18.5	5	70	140	110	20	62.5	74.5	M20 × 40	NU316	6313
250MA	18.5	5	60	140	110	18	53	64	M20 × 40	6313C3	6213C3
250MC	18.5	5	70	140	110	20	62.5	74.5	M20 × 40	NU316	6313

- Notes: 1. Tolerance: Refer to page 33.  
2. Data subject to change without notice and should not be used for installation purposes.

**TECO Cast Iron TEFC 3-Phase Squirrel Induction Motors**

**Frame 63 - 200 Foot and Flange Mount**

Totally Enclosed Fan Cooled Squirrel Cage Rotor

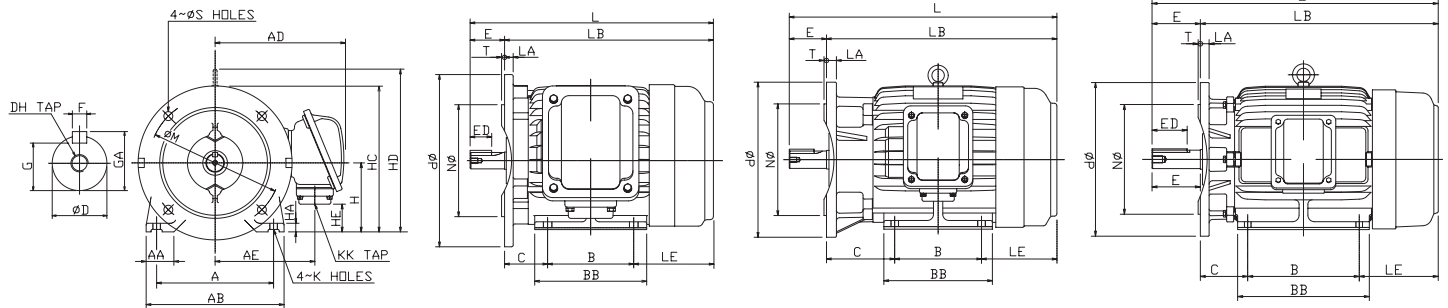


Fig. 1

Fig. 2

Fig. 3

Output (kW)				Frame Size	Fig. No.	Dimensions (mm)														
2P	4P	6P	8P			A	AA	AB	AD	AE	B	BB	C	H	HA	HC	HD	HE	K	KK
0.18	0.18	-	-	63	2	100	28	120	123	97	80	100	69	63	8	135	-	10	7	M20 × P1.5
0.37 / 0.55	0.37	0.18	-	71		112	35.5	140	148	110	90	115	72	71	8	152	-	35	7	M20 × P1.5
0.75 / 1.1	0.55 / 0.75	0.37 / 0.55	0.18	80	1	125	35.5	155	179	130	100	130	50	80	9	180	-	13	10	M25 × P1.5
1.5	1.1	0.75	0.37	90S		140	35.5	170	192	143	100	130	95	90	10	190	-	23	10	M25 × P1.5
2.2	1.5	1.1	0.55	90L	2	140	35.5	170	192	143	125	150	95	90	10	190	-	23	10	M25 × P1.5
3	2.2 / 3	1.5	0.75 / 1.1	100L		160	45	195	202	153	140	175	103	100	12.5	-	243	33	12	M25 × P1.5
4	4	2.2	1.5	112M	3	190	45	224	211	162	140	175	110	112	14	-	265	45	12	M25 × P1.5
5.5 / 7.5	5.5	3	2.2	132S		216	45	250	249	187	140	175	139	132	16	-	310	58	12	M40 × P1.5
-	7.5	4 / 5.5	3	132M	3	216	45	250	249	187	178	212	139	132	16	-	310	58	12	M40 × P1.5
11 / 15	11	7.5	4 / 5.5	160M		254	50	300	287	225	210	250	108	160	18	-	377	83	14.5	M40 × P1.5
18.5	15	11	7.5	160L	3	254	50	300	287	225	254	300	108	160	18	-	377	83	14.5	M40 × P1.5
22	-	-	-	180MA		279	75	355	312	250	241	297	121	180	20	-	421	103	14.5	M40 × P1.5
-	18.5	-	-	180MC	3	279	75	355	312	250	241	297	121	180	20	-	421	103	14.5	M40 × P1.5
-	22	15	11	180LC		279	75	355	312	250	279	335	121	180	20	-	421	103	14.5	M40 × P1.5
30/37	-	-	-	200LA	3	318	80	400	374	287	305	365	133	200	25	-	469	88	18.5	M50 × P1.5
-	30	18.5 / 22	15	200LC		318	80	400	374	287	305	365	133	200	25	-	469	88	18.5	M50 × P1.5

Frame Size	Flange								Shaft Extension						Bearings		
	LA	LE	L	M	N	P	S	T	D	E	ED	F	G	GA	DH	DE	NDE
63	12	76	248	115	95	140	10	3	11	23	10	4	8.5	12.5	M4 × 8	6201ZZ	6201ZZ
71	12	86	278	130	110	160	10	3.5	14	30	14	5	11	16	M5 × 10	6202ZZ	6202ZZ
80	12	92.5	282.5	165	130	200	12	3.5	19	40	25	6	15.5	21.5	M6 × 12	6204ZZ	6204ZZ
90S	12	101.5	346.5	165	130	200	12	3.5	24	50	32	8	20	27	M8 × 16	6205ZZ	6205ZZ
90L	12	101.5	371.5	165	130	200	12	3.5	24	50	32	8	20	27	M8 × 16	6205ZZ	6205ZZ
100L	16	112	414.5	215	180	250	14.5	4	28	60	40	8	24	31	M10 × 20	6206ZZ	6305ZZ
112M	16	121.5	431.5	215	180	250	14.5	4	28	60	40	8	24	31	M10 × 20	6306ZZ	6306ZZ
132S	20	145	504	265	230	300	14.5	4	38	80	56	10	33	41	M12 × 24	6308ZZ	6306ZZ
132M	20	145	542	265	230	300	14.5	4	38	80	56	10	33	41	M12 × 24	6308ZZ	6306ZZ
160M	20	180	608	300	250	350	18.5	5	42	110	80	12	37	45	M16 × 32	6309ZZ	6307ZZ
160L	20	180	652	300	250	350	18.5	5	42	110	80	12	37	45	M16 × 32	6309ZZ	6307ZZ
180MA	20	200	672	300	250	350	18.5	5	48	110	80	14	42.5	51.5	M16 × 32	{6211C3}	{6211C3}
180MC	20	200	672	300	250	350	18.5	5	48	110	80	14	42.5	51.5	M16 × 32	6311ZZ	6310ZZ
180LC	20	200	710	300	250	350	18.5	5	48	110	80	14	42.5	51.5	M16 × 32	6311ZZ	6310ZZ
200LA	20	222	770	350	300	400	18.5	5	55	110	80	16	49	59	M20 × 40	{6312C3}	{6212C3}
200LC	20	222	770	350	300	400	18.5	5	55	160	80	16	49	59	M20 × 40	6312C3	6313C3

- Notes: 1. Tolerance: Refer to page 33.  
 2. Lifting lugs not provided on frames D90 and smaller.  
 3. Data subject to change without notice and should not be used for installation purposes.

# Outline Dimensions Sheet



## TECO Cast Iron TEFC 3-Phase Squirrel Induction Motors

### Frame 225 - 315 Foot and Flange Mount

Totally Enclosed Fan Cooled Squirrel Cage Rotor

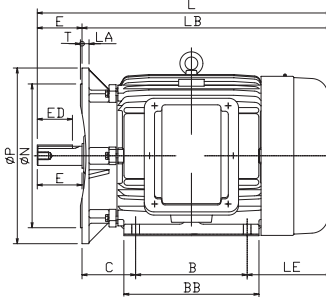
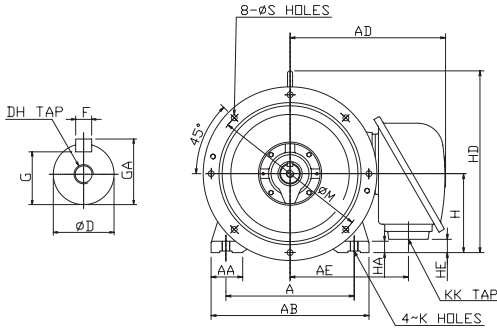


Fig. 4

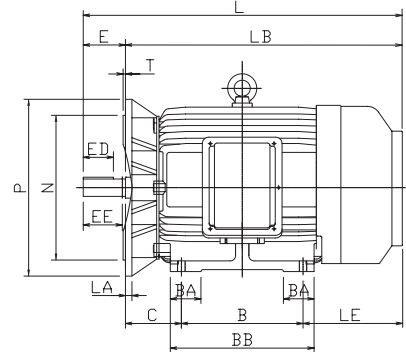


Fig. 5

Output (kW)				Frame Size	Fig. No.	Dimensions (mm)														
2P	4P	6P	8P			A	AA	AB	AD	AE	B	BA	BB	C	H	HA	HD	HE	K	KK
-	37	-	18.5	225SC	4	356	90	450	427	330	286	-	350	149	225	30	524	57	18.5	M50 × P1.5
45	-	-	-	225MA		356	90	450	427	330	311	-	375	149	225	30	524	57	18.5	M50 × P1.5
-	45	30	22	225MC		356	90	450	427	330	311	-	375	149	225	30	524	57	18.5	M50 × P1.5
55	-	-	-	250SA		406	100	500	493	375	311	-	385	168	250	36	575	42	24	M63 × P1.5
-	55	37	30	250SC		406	100	500	493	375	311	-	385	168	250	36	575	42	24	M63 × P1.5
75	-	-	-	250MA		406	100	500	493	375	349	-	425	168	250	36	575	42	24	M63 × P1.5
-	75	45	37	250MC		406	100	500	493	375	349	-	425	168	250	36	575	42	24	M63 × P1.5
90	-	-	-	280SA		457	110	560	610	405	368	110	445	190	280	36	710	106	24	M63 × P1.5
-	90	55	45	280SC	457	110	560	610	405	368	110	445	190	280	36	710	106	24	M63 × P1.5	
110	-	-	-	280MA	457	110	560	610	405	419	110	495	190	280	36	710	106	24	M63 × P1.5	
-	110	75	55	280MC	457	110	560	610	405	419	110	495	190	280	36	710	106	24	M63 × P1.5	
132	-	-	-	315SA	508	115	615	610	430	406	115	490	216	315	40	743	136	28	M63 × P1.5	
-	132	90	75	315SC	508	115	615	610	430	406	115	490	216	315	40	743	136	28	M63 × P1.5	
150 / 185	-	-	-	315MA	508	115	615	610	430	457	115	540	216	315	40	743	136	28	M63 × P1.5	
-	150	110 / 132	90	315MC	508	115	615	610	430	457	115	540	216	315	40	743	136	28	M63 × P1.5	
-	185	-	-	315MB	508	115	615	610	430	457	115	540	216	315	40	743	136	28	M63 × P1.5	

Frame Size	Flange				Shaft Extension							Bearings						
	LA	LE	L	M	N	P	S	T	D	E	ED	EE	F	G	GA	DH	DE	NDE
225SC	22	241	816	400	350	450	18.5	5	60	140	110	-	18	53	64	M20 × 40	6313	6213
225MA	22	241	811	400	350	450	18.5	5	55	110	80	-	16	49	59	M20 × 40	6312C3	6212C3
225MC	22	241	841	400	350	450	18.5	5	60	140	110	-	18	53	64	M20 × 40	6313	6213
250SA	22	263.5	882.5	500	450	550	18.5	5	60	140	110	-	18	53	64	M20 × 40	6313C3	6213C3
250SC	22	263.5	882.5	500	450	550	18.5	5	70	140	110	-	20	62.5	74.5	M20 × 40	NU316	6313
250MA	22	263.5	920.5	500	450	550	18.5	5	60	140	110	-	18	53	64	M20 × 40	6313C3	6213C3
250MC	22	263.5	920.5	500	450	550	18.5	5	70	140	110	-	20	62.5	74.5	M20 × 40	NU316	6313
280SA	22	344	1042	500	450	550	18.5	5	65	140	110	134	18	58	69	M20 × 40	6314C3	6314C3
280SC	22	344	1072	500	450	550	18.5	5	80	170	140	157	22	71	85	M20 × 40	NU318	6316
280MA	22	344	1092	500	450	550	18.5	5	65	140	110	134	18	58	69	M20 × 40	6314C3	6314C3
280MC	22	344	1122	500	450	550	18.5	5	80	170	140	157	22	71	85	M20 × 40	NU318	6316
315SA	25	369	1131	600	550	660	24	6	65	140	110	134	18	58	69	M20 × 40	6314C3	6314C3
315SC	25	369	1161	600	550	660	24	6	85	170	140	157	22	76	90	M20 × 40	NU320	6316
315MA	25	369	1182	600	550	660	24	6	65	140	110	134	18	58	69	M20 × 40	6314C3	6314C3
315MC	25	369	1212	600	550	660	24	6	85	170	140	157	22	76	90	M20 × 40	NU320	6316
315MB	25	369	1212	600	550	660	24	6	85	140	140	157	22	76	90	M20 × 40	NU320	6316

- Notes:
1. Tolerance: Refer to page 33.
  2. Usable Shaft length: EE
  3. Data subject to change without notice and should not be used for installation purposes.

**TECO Cast Iron TEFC 3-Phase Squirrel Induction Motors**

**Frame 63 - 132 Foot and C Face Mount**

Totally Enclosed Fan Cooled Squirrel Cage Rotor

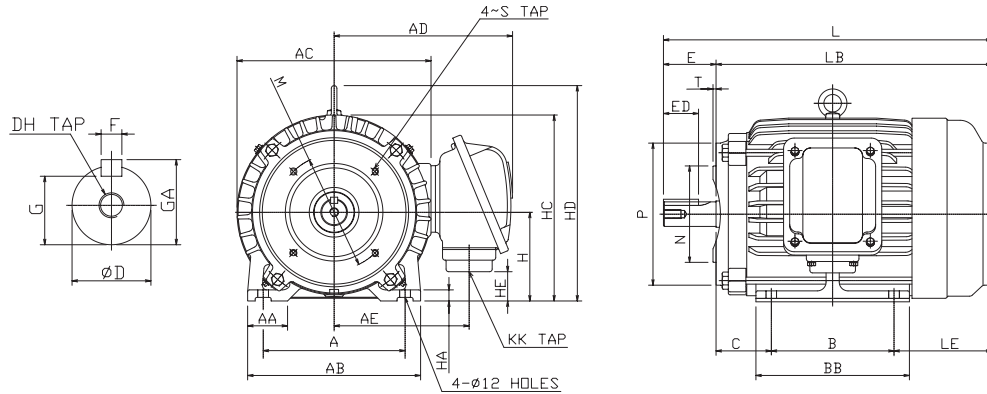


Fig. 1

Output (kW)				Frame Size	Fig. No.	Dimensions (mm)															
2P	4P	6P	8P			A	AA	AB	AC	AD	AE	B	BB	C	H	HA	HC	HD	HE	K	KK
0.18	0.18	-	-	63	1	100	28	120	144	123	97	80	100	40	63	8	135	-	10	7	M20 × P1.5
0.37 / 0.55	0.37	0.18	-	71		112	35.5	140	162	133	107	90	115	45	71	8	152	-	35	7	M20 × P1.5
0.75 / 1.1	0.55 / 0.75	0.37 / 0.55	0.18	80		125	35.5	155	177	179	130	100	130	50	80	9	168	-	13	10	M25 × P1.5
1.5	1.1	0.75	0.37	90S		140	35.5	170	200	192	143	100	130	56	90	10	190	-	23	10	M25 × P1.5
2.2	1.5	1.1	0.55	90L		140	35.5	170	200	192	143	125	150	56	90	10	190	-	23	10	M25 × P1.5
3	2.2 / 3	1.5	0.75 / 1.1	100L		160	45	195	219	202	153	140	175	63	100	12.5	-	243	33	12	M25 × P1.5
4	4	2.2	1.5	112M		190	45	224	238	211	162	140	175	70	112	14	-	265	45	12	M25 × P1.5
5.5 / 7.5	5.5	3	2.2	132S		216	45	250	273	249	187	140	175	89	132	16	-	310	58	12	M40 × P1.5
-	7.5	4 / 5.5	3	132M		216	45	250	273	249	187	178	212	89	132	16	-	310	58	12	M40 × P1.5

Frame Size	Flange				Shaft Extension						Bearings						
	LA	LE	L	M	N	P	S	T	D	E	ED	F	G	GA	DH	DE	NDE
63	12	105	248	75	60	90	M5	3	11	23	18	4	8.5	12.5	M4 × 8	6201ZZ	6201ZZ
71	12	112	277	85	70	105	M6	3.5	14	30	24	5	11	16	M5 × 10	6202ZZ	6202ZZ
80	12	92	282	100	80	120	M6	3.5	19	40	25	6	15.5	21.5	M6 × 12	6204ZZ	6204ZZ
90S	12	140	346	115	95	140	M8	3.5	24	50	32	8	20	27	M8 × 16	6205ZZ	6205ZZ
90L	12	140	371	115	95	140	M8	3.5	24	50	32	8	20	27	M8 × 16	6205ZZ	6205ZZ
100L	16	111	374	130	110	160	M8	4	28	60	40	8	24	31	M10 × 20	6206ZZ	6305ZZ
112M	16	161	431	130	110	160	M8	4	28	60	40	8	24	31	M10 × 20	6306ZZ	6306ZZ
132S	20	145	454	165	130	200	M10	4	38	80	64	10	33	41	M12 × 24	6308ZZ	6306ZZ
132M	20	145	492	165	130	200	M10	4	38	80	64	10	33	41	M12 × 24	6308ZZ	6306ZZ

- Notes:
1. Tolerance: Refer to page 33.
  2. Lifting lugs not provided on frames D90 and smaller.
  3. Data subject to change without notice and should not be used for installation purposes.





AUSTRALIA & NEW ZEALAND



**Head Office, Sydney**

TECO Australia Pty Ltd  
335-337 Woodpark Road,  
Smithfield NSW 2164  
Tel: 02 9765 8118  
Fax: 02 9604 9330



**Melbourne**

TECO Australia Pty Ltd  
16 Longstaff Road,  
Bayswater VIC 3153  
Tel: 03 9720 4411  
Fax: 03 9720 5355



**Brisbane**

TECO Australia Pty Ltd  
50 Murdoch Circuit,  
Acacia Ridge QLD 4110  
Tel: 07 3373 9600  
Fax: 07 3373 9699



**Perth**

TECO Australia Pty Ltd  
28 Belgravia Street,  
Belmont WA 6104  
Tel: 08 9479 4879  
Fax: 08 9478 3876



**New Zealand**

TECO New Zealand Ltd  
Unit 3, 477 Great South Road,  
Penrose, Auckland  
Tel: 64 9-526 8480  
Fax: 64 9-526 8484  
sales@teco.co.nz

Distributed by:

[www.teco.com.au](http://www.teco.com.au)    [emd@teco.com.au](mailto:emd@teco.com.au)